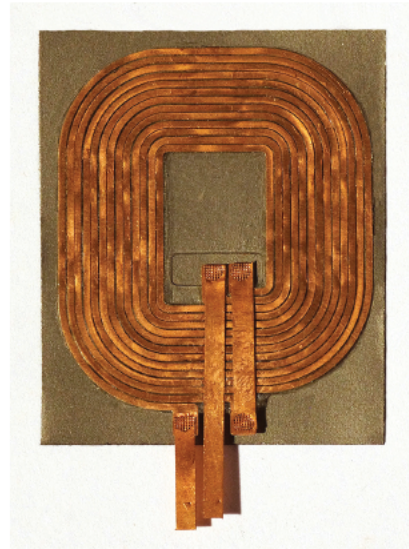




STAMPED INDUCTIVE CHARGING RX COILS FOR DUAL MODE APPLICATIONS

FEATURES:

- Inductive charging coils for phones and tablets
- Suitable for Dual Mode (WPC and PMA) applications
- Industry leading thinness for slim design requirements
- Low DC Resistance for high efficiency and low thermal loading
- Thermal shock tested, robust construction
- Available to suit specific electrical and mechanical requirements
- Resistance and inductance tested
- Patent Pending



PART NUMBER A2321

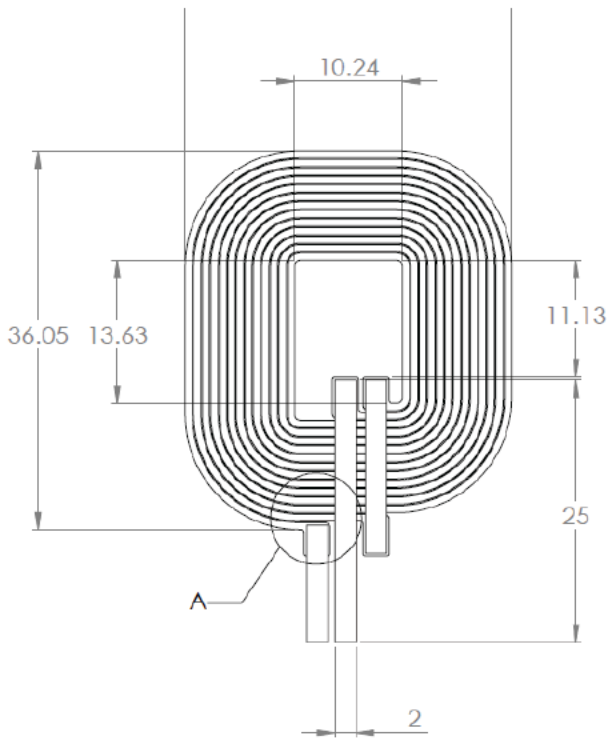
ELECTRICAL SPECIFICATION :

PART NUMBER	A2321	A2324
MATERIAL	COPPER	COPPER
DIMENSIONS	36.1 mm x 31.1 mm	39 mm x 30 mm
COIL THICKNESS	.15 mm ~ .25 mm	.15 mm ~ .25 mm
DC RESISTANCE FROM MIN - MAX THICKNESS	227 mΩ ~ 136 mΩ	240 mΩ ~ 145 mΩ
INDUCTANCE WITH SHIELD	6.9 μH	8.1 μH
OVERALL THICKNESS WITH SHIELD	.45 mm ~ .55 mm	.45 mm ~ .55 mm
APPLICATION	Dual PMA/WPC	Dual PMA/WPC

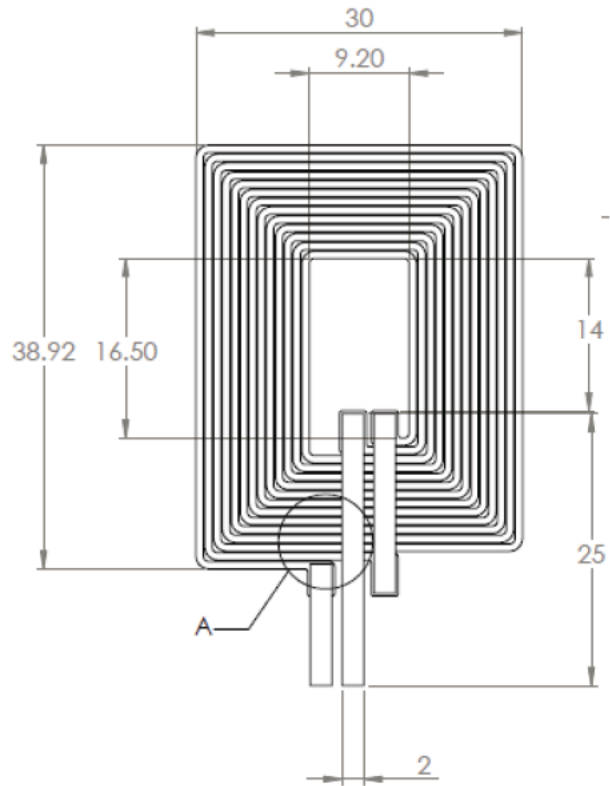


STAMPED INDUCTIVE CHARGING RX COILS FOR DUAL MODE APPLICATIONS

A2321 DRAWING:



A2324 DRAWING:



FOR FURTHER QUESTIONS, PLEASE CONTACT:

Josh Kurz
jkurz@akstamping.com

Carlo Montesa
cmontesa@akstamping.com

Michael Schneider
mschneider@akstamping.com

AK Stamping Company Inc.
Globe Manufacturing Sales
1159 U.S. Route 22
Mountainside, New Jersey 07092 USA
Phone: +1 908-232-7300

AK Stamping (Shanghai) Company, Inc
789 Puxing Road
Caohejing Export Processing Zone
Building 4
Shanghai, 201114 CHINA