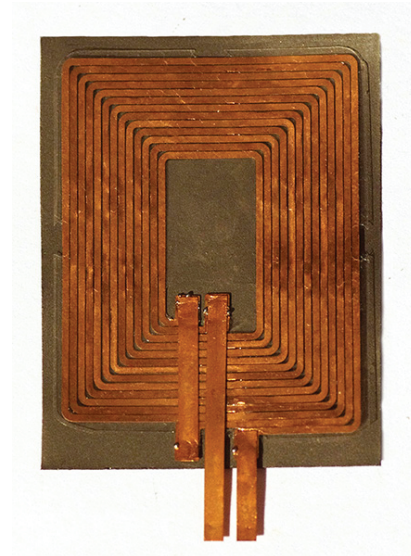




## STAMPED INDUCTIVE CHARGING RX COILS FOR WPC APPLICATIONS

### FEATURES:

- Inductive charging coils for phones and tablets
- Industry leading thinness for slim design requirements
- Low DC Resistance for high efficiency and low thermal loading
- Thermal shock tested, robust construction
- Available to suit specific electrical and mechanical requirements
- Resistance and inductance tested
- Available with and without Ferrite Shield
- Patent Pending



PART NUMBER A2324

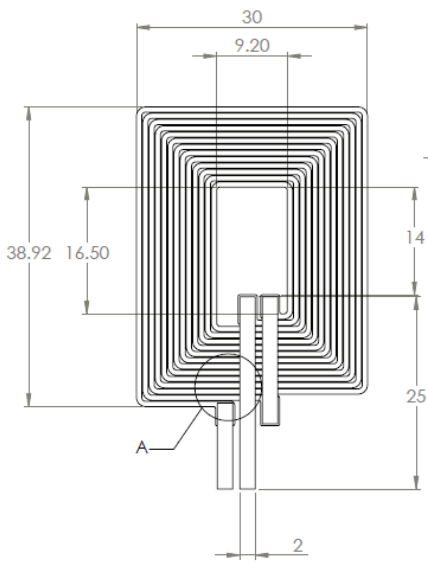
### ELECTRICAL SPECIFICATION :

PART NUMBER	A2324	A2330	A2306
MATERIAL	COPPER	COPPER	COPPER
DIMENSIONS	39 mm x 30 mm	42.2 mm x 33.2 mm	53.5 mm x 46.6 mm
COIL THICKNESS	0.10 mm ~ 0.25 mm	0.10 mm ~ 0.25 mm	0.3 mm ~ 0.5 mm
DC RESISTANCE FROM MIN - MAX THICKNESS	260 mΩ ~ 145 mΩ	320 mΩ ~ 185 mΩ	185 mΩ ~ 125 mΩ
INDUCTANCE WITH SHIELD	8.1 μH	10.3 μH	11.2 μH
OVERALL THICKNESS WITH SHIELD	0.30 mm ~ 0.55 mm	0.30 mm ~ 0.55 mm	0.50 mm ~ 0.80 mm
APPLICATION	Dual PMA/WPC	WPC	WPC

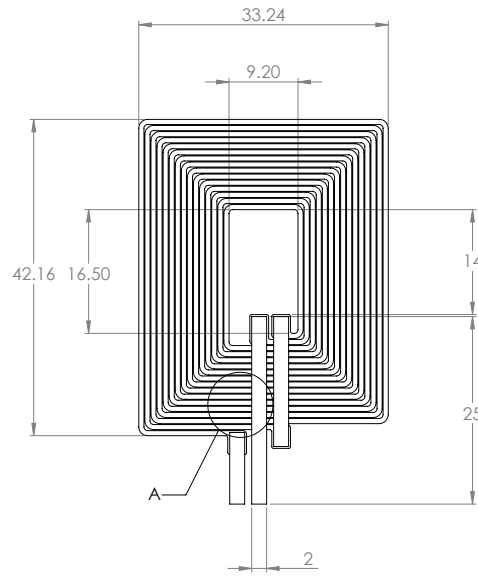


# STAMPED INDUCTIVE CHARGING RX COIL FOR WPC APPLICATIONS

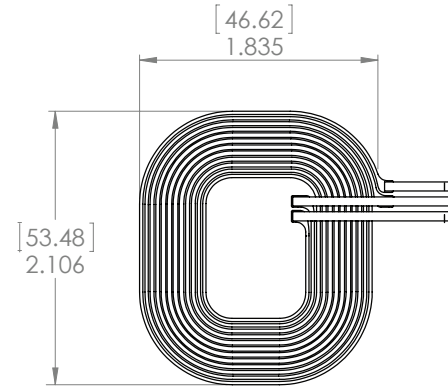
**A2324 DRAWING:**



**A2330 DRAWING:**



**A2306 DRAWING:**



## FOR FURTHER QUESTIONS, PLEASE CONTACT:

**Josh Kurz**  
jkurz@akstamping.com

**Carlo Montesa**  
cmontesa@akstamping.com

**Michael Schneider**  
mschneider@akstamping.com

**AK Stamping Company Inc.**  
**Globe Manufacturing Sales**  
1159 U.S. Route 22  
Mountainside, New Jersey 07092 USA  
Phone: +1 908-232-7300

**AK Stamping (Shanghai) Company, Inc**  
789 Puxing Road  
Caohejing Export Processing Zone  
Building 4  
Shanghai, 201114 CHINA